

BarnDoorTrack

CS TrackSystems are an innovative range of track systems designed for a multitude of sliding doorway applications.

CS BarnDoorTrack is suitable for surface sliding applications where there is enough strength in the wall to side mount a track above an opening.

Installation is quick and easy as the track bracket is supplied with pre-machined fixing slots. The track is pre-finished black anodized and supplied with fixing bracket, stops, door hangers and T-Guide.



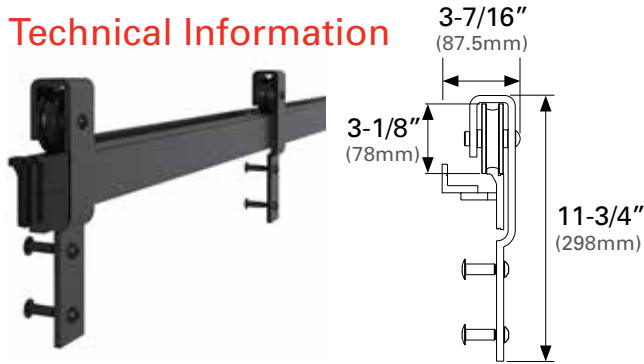
CS BarnDoorTrack with black anodized finish.



CS BarnDoorTrack and door hangers

 TrackSystems

Technical Information



Track Finish:	Black Anodized	
Max. Door Weight (per track):	300kg	650lb
Min. Door Thickness:	32mm	1-1/4"

Design Features & Options

- Track is high-quality, heavy duty extruded aluminum.
- Track can be easily adjusted to allow for different wall clearances with baseboard & moulding.
- Pre-machined mounting holes.
- Anti-jump system ensures wheels cannot jump off the track.
- Ultra smooth running acetal wheels.
- Maximum weight per track: 650lb (300kg) (see installation notes).
- Black Anodized finish.

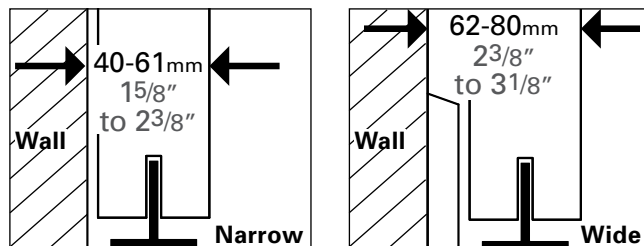
Installation Notes

The stud wall must be level and solid enough to support the door weight. This track is supplied with coach screws suitable for use with timber framing. For fixing to concrete walls, masonry anchors must be used.

Determine overall thickness

This track system is supplied with either a Narrow or Wide track bracket which must be specified at time of order. The bracket can be adjusted to suit an overall thickness of door + gap + moulding of:

1-5/8" to 2-3/8" (40 - 61mm) (**Narrow** option) or
2-3/8" to 3-1/8" (62 - 80mm) (**Wide** option).



How to Order

1. **Specify track length**
(available in 5, 6, 7, 8, 10 and 12' pre-cut lengths)
2. **Choose Narrow or Wide bracket**

Fixing Detail

